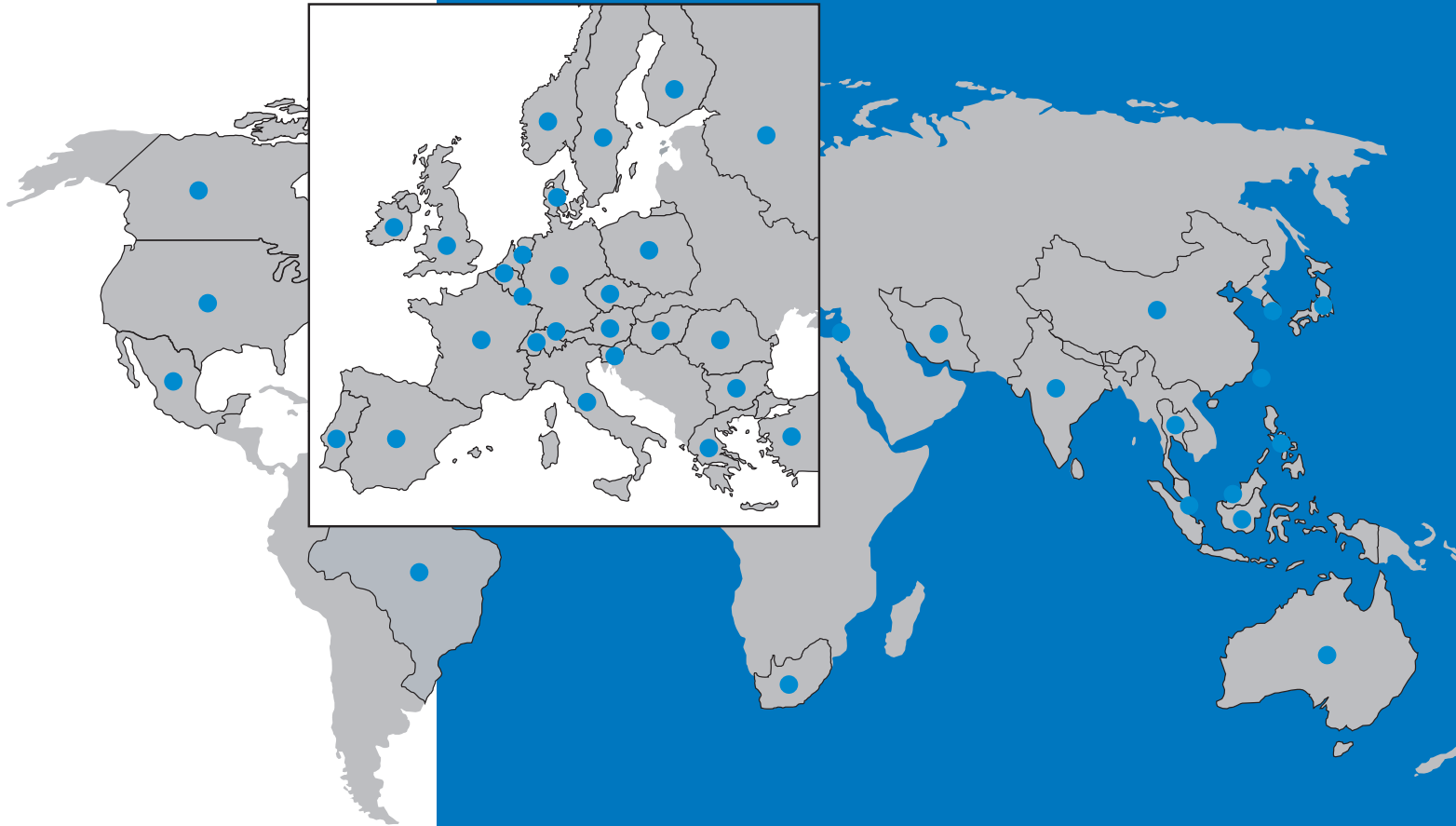
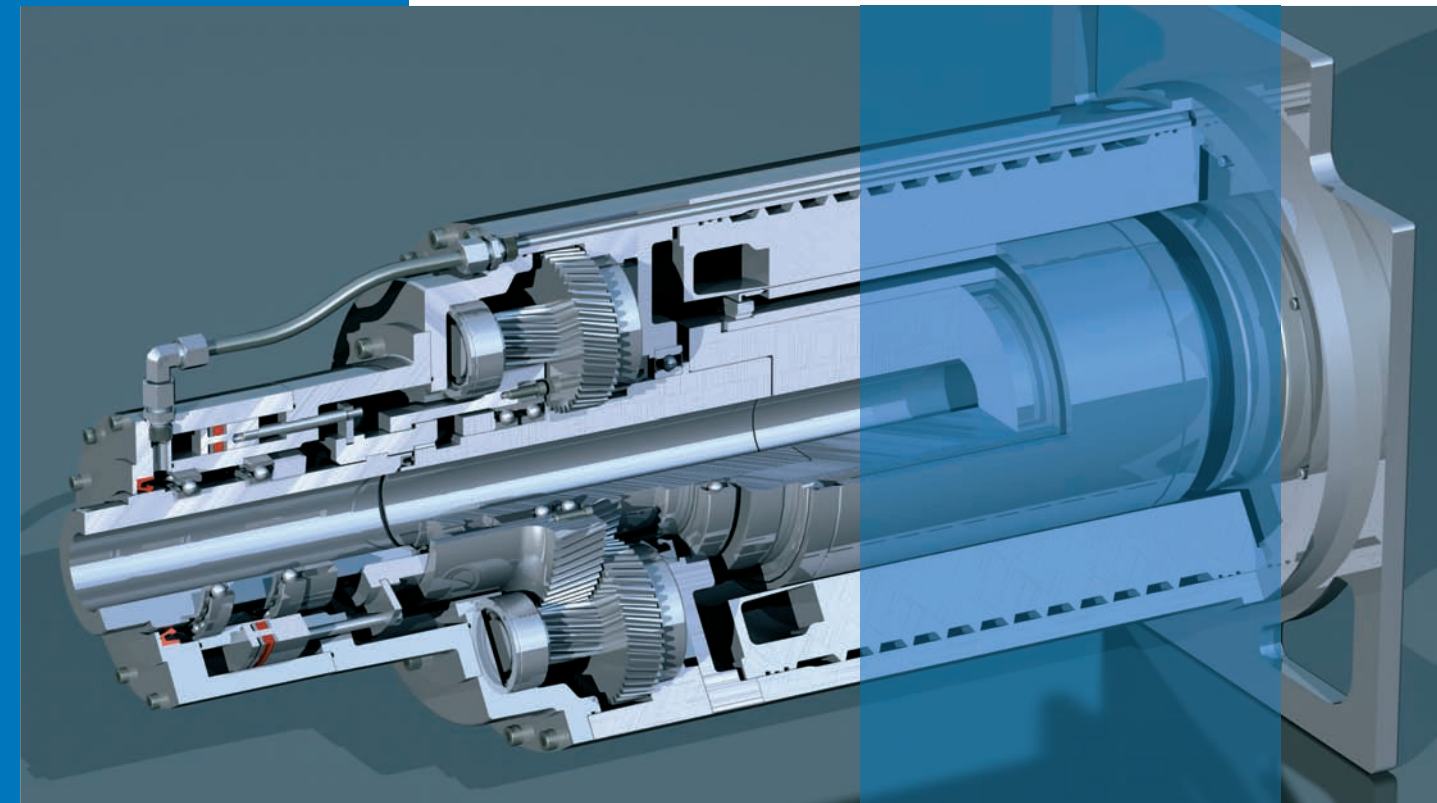


Worldwide distribution network



Individual gear solutions

For high-tech machine tools



A part of
marzahlGruppe

Tuchwalkerstraße 5
D-84034 Landshut

Tel: +49(0)871-7801-0
Fax: +49(0)871-7801-125
Email: info@heynau.de
www.heynau.de

For further information please contact:

Marzahl Vertrieb GmbH
Ulzburger Straße 528
D-22844 Norderstedt

Tel: +49(0)40-535-400-0
Fax: +49(0)40-535-400-24
Email: marzahl@marzahl.de
www.antriebstechniken.de

a&g automation and gears GmbH
Adenauerstr. 1
D-88094 Oberteuringen

Tel: +49(0)7546-917-847
Mobile: +49(0)1511-734-8098
Fax: +49(0)7546-918-457
Email: info@automation-and-gears.de
www.automation-and-gears.de

Special purpose solutions

High-precision

Integrated systems

Low volume, custom built gearboxes

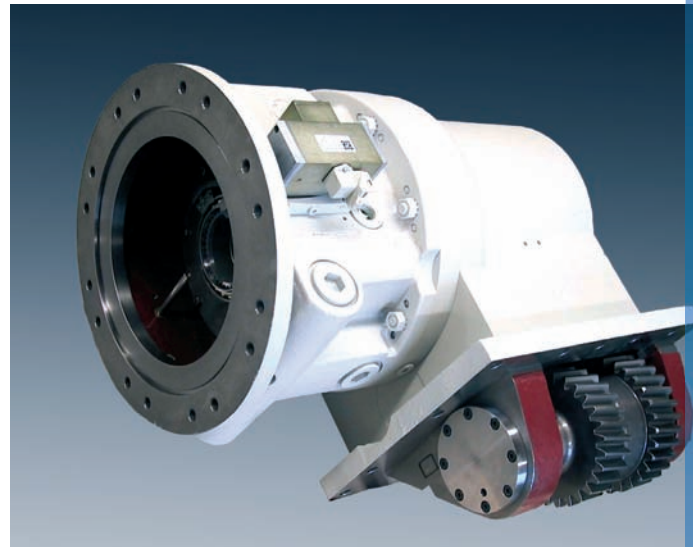
In-house development and manufacturing

marzahlGruppe

Transfer gearbox HEYNAU TG 3 ST 801

ZF 2K 801 Duoplan in combination with HEYNAU transfer gearbox for machine tools

- > nominal motor power = 60 kW
- > nominal motor torque = 460 Nm
- > nominal input speed = 1 250 rpm
- > max. input speed = 4 300 rpm
- > ratio shifting gear box = 1 and 4
- > ratio transfer gear box = 1.35



Transfer gearbox HEYNAU TG 3 ST 250

ZF 2K 250 Duoplan in combination with HEYNAU transfer gearbox for machine tools

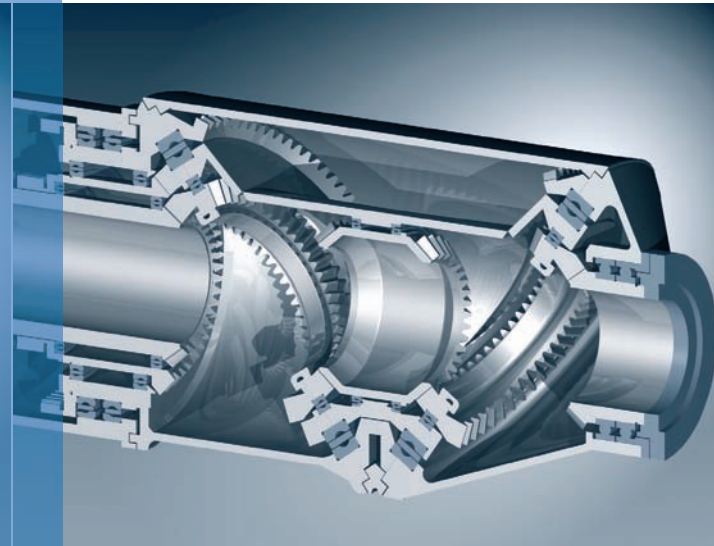
- > nominal motor power = 20 kW
- > nominal motor torque = 95 Nm
- > nominal input speed = 2 000 rpm
- > max. input speed = 7 500 rpm
- > ratio shifting gear box = 1 and 5.5
- > ratio transfer gear box = 2.8



HEYNAU geared motor spindle incorporating a HSG 70 gearbox

Coaxial geared motor spindle drive for machine tools

- > nominal motor power = 67 kW
- > nominal motor torque = 585 Nm
- > nominal input speed = 1100 rpm
- > max. input speed = 5000 rpm
- > ratio shifting gear box = 1 and 5



Robotic arm wrist

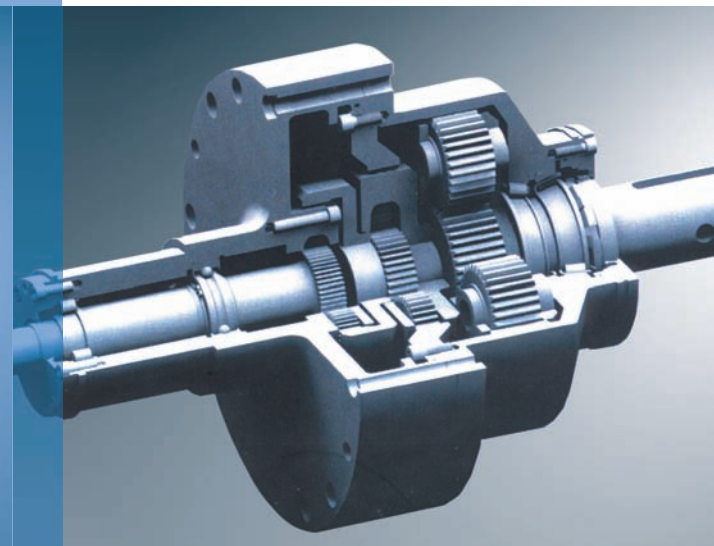
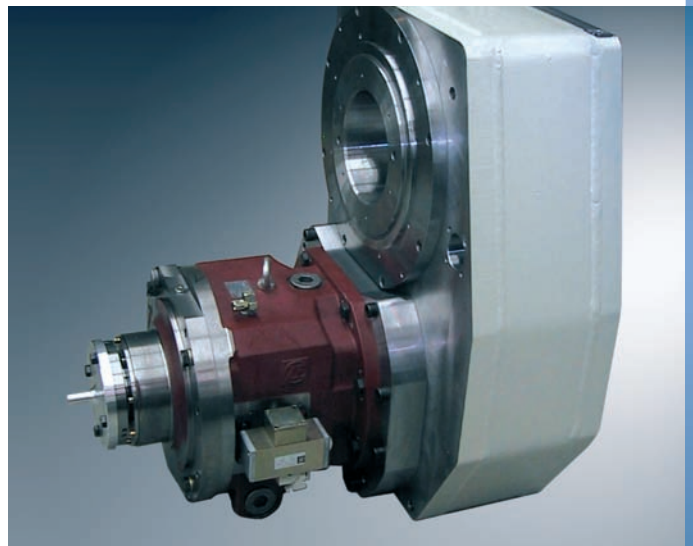
High precision gearbox for robot wrist articulation

- > Weight 18 kg
- > payload up to 30 kg
- > Low backlash,
- > Axis speed up to 700°/sec.
- > Hollow shaft concept (70 mm) to pass process medium
- > Elliptical outer dimension, max. diameter 265 mm
- > Max. joint angle 40° to 180°

Transfer gearbox HEYNAU TG 2 ST 800

ZF 2K 800 Duoplan in combination with Heynau transfer gearbox for machine tools

- > nominal motor power = 103 kW
- > nominal motor torque = 820 Nm
- > nominal input speed = 1 250 rpm
- > max. input speed = 5 000 rpm
- > ratio shifting gear box = 1 and 4
- > ratio transfer gear box = 2.0 ... 4.0



Planetary overriding gear

Three stage planetary gearbox with input shaft (left), output shaft (right) and overriding rotating housing

- > max. output torque (nominal) = 6000 Nm
- > max. housing rotation speed = 4000 rpm
- > ratio: $i = 40$